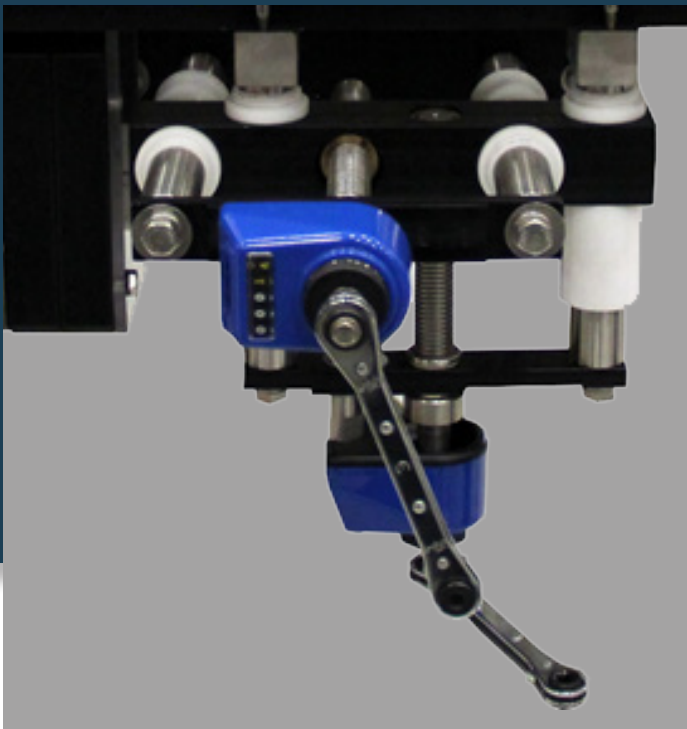
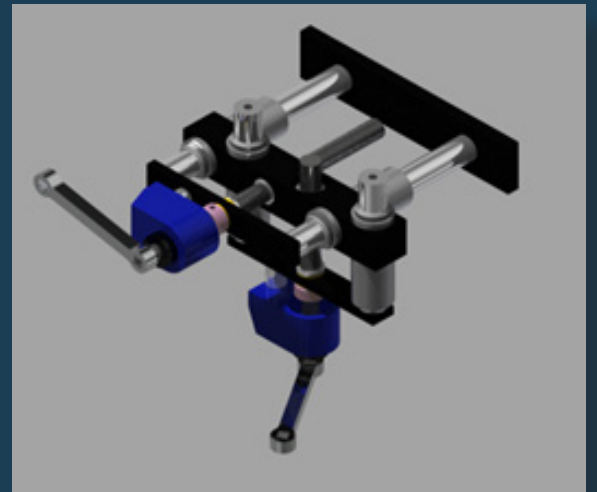


Make changeovers between container sizes faster by upgrading your timing screw drive units with Morrison Deluxe Adjusters. Deluxe Adjusters allow for tool-less adjustment of timing screw centerlines through use of numerical counters for repeat set ups.



KEY FEATURES

- 1 Precise in and out adjustment
- 2 Precise up and down adjustment
- 3 Anodized aluminium construction
- 4 Stainless steel construction
- 5 Numerical counters for repeatable setup
- 6 Oversized adjusters to accommodate large diameter timing screws



Easier Adjustability
Quicker Changeovers



EMAIL:
info@morrison-chs.com



WEBSITE:
www.morrison-chs.com



PHONE:
+1-708-756-6660