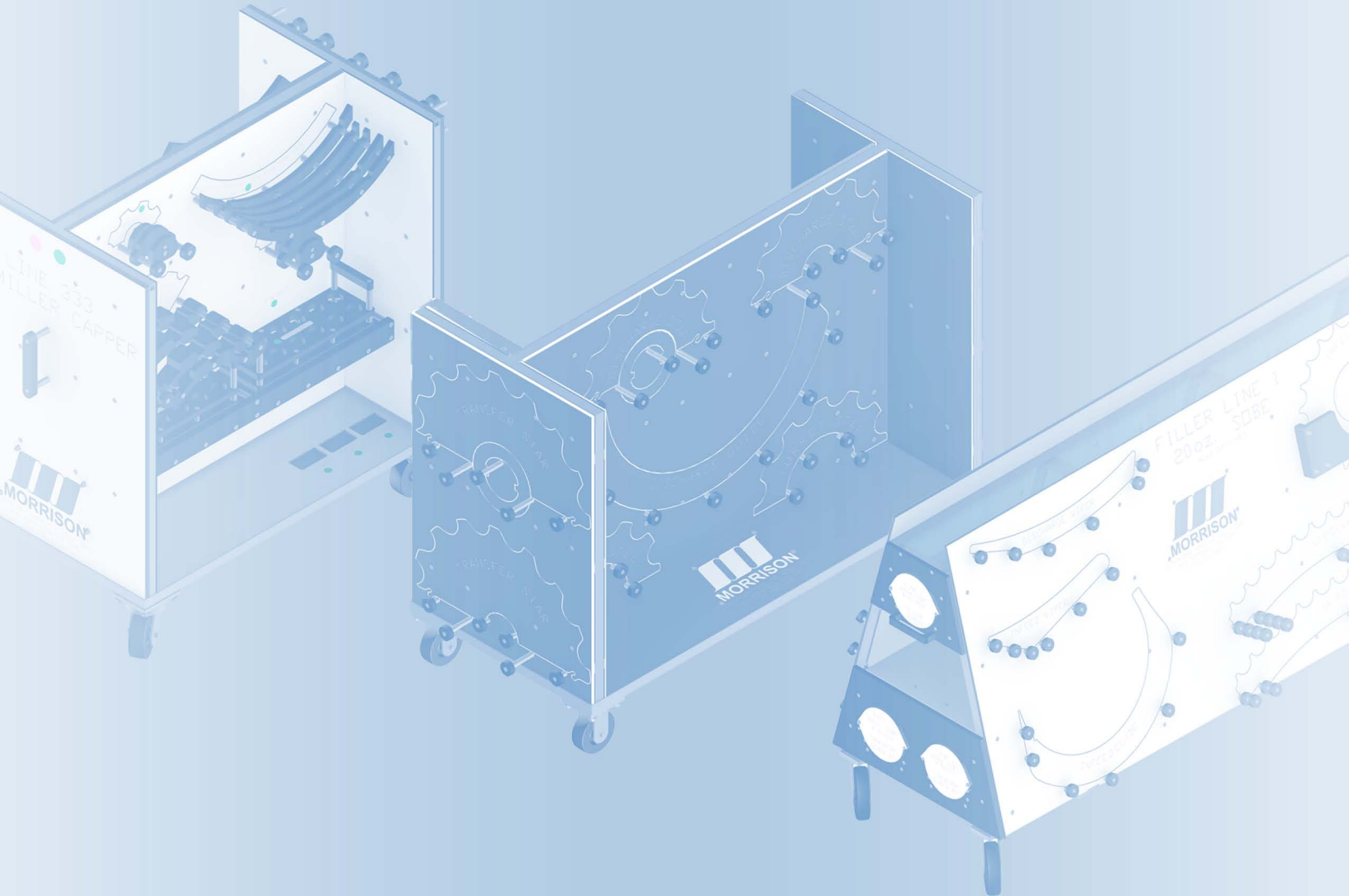




# Parts Carts Built to Fit Your Needs!



# MORRISON

CONTAINER HANDLING SOLUTIONS

335 West 194th Street  
Glenwood, IL 60425

P: 708-756-6660 F: 708-756-6620  
info@morrison-chs.com  
morrison-chs.com

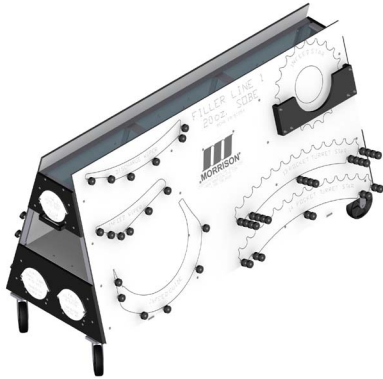


# Standard A-Style Parts Cart

The Standard A-Style Parts Cart is the most commonly used parts cart. The cart has a footprint of 96" x 36" and is roughly 56" tall from the ground up.



# A-Style Parts Cart w/Shelf and 3 Timing Screw Tubes



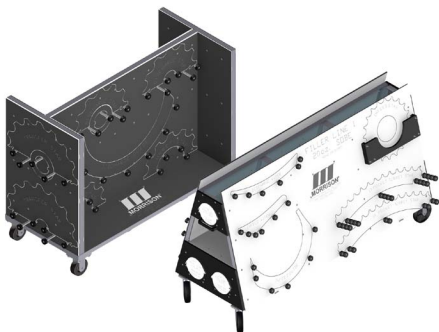
This cart is typically used when the number of timing screws required to fit on the cart exceeds the capacity of the Standard A-Style Parts Cart. The non-standard A-Style Carts have the same measurements as the standard A-Style Cart.

# H-Style Parts Cart

This parts cart is usually requested by customers that require a smaller parts cart footprint. The H-Style cart has limited room for mounting timing screws (typically 2 on the front of the cart). The footprint is roughly 48" x 32" and 68" from the ground up.



# Storage Carts for Parts



Parts carts are built to fit your needs!